

# audison



prima

## PRODUCT INFORMATION

Elettromedia January 2018

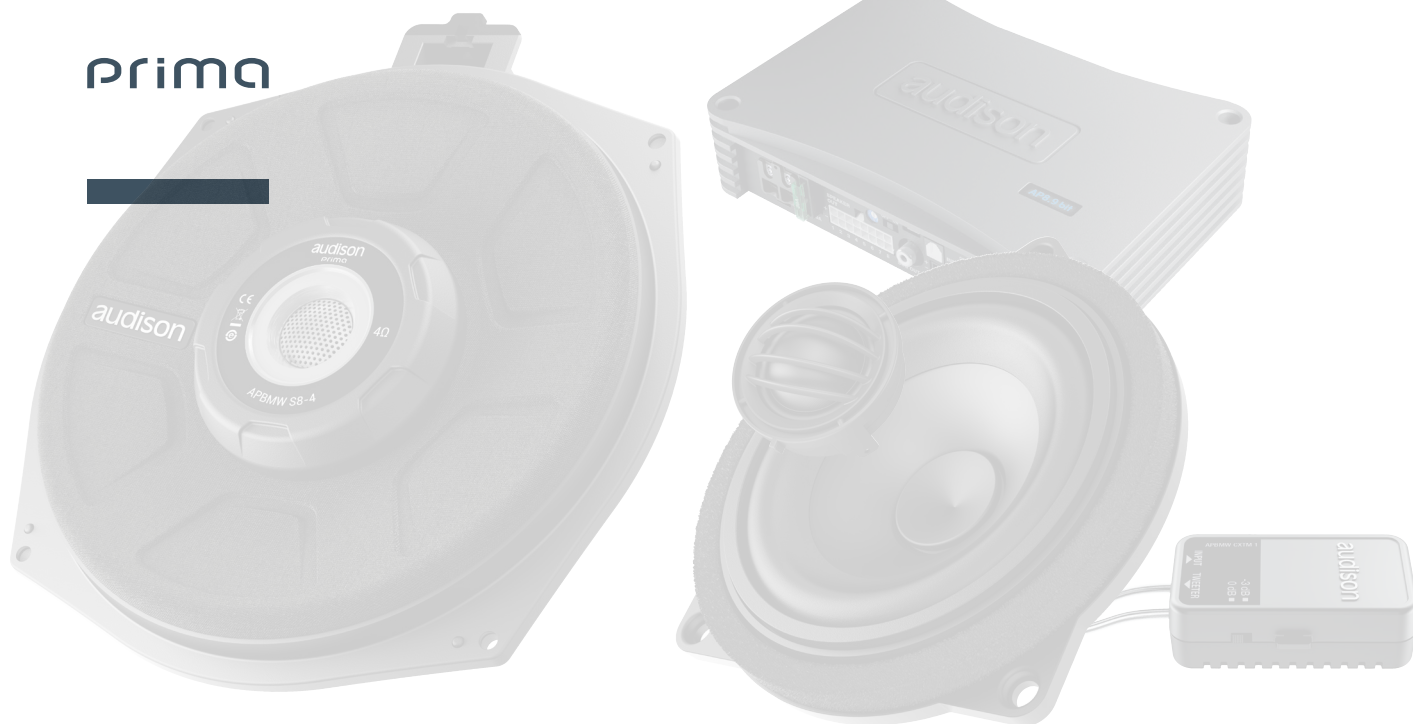


[www.audison.eu](http://www.audison.eu)



ideato,  
progettato,  
ingegnerizzato  
in Italia

Prima



# PRODUCT INFORMATION

Elettromedia January 2018

PRODUCT INFORMATION	1
THE DESIGN	3
COAXIAL SPEAKERS FOR BMW AND MINI	4
2 WAY SYSTEM FOR BMW AND MINI	6
SUBWOOFER FOR BMW AND MINI	8
APBMW X4E	9
APBMW X4M	10
APBMW K4E	11
APBMW K4M	12
APBMW S8-2	13
APBMW S8-4	14
APBMW A4E	15
COMPATIBILITY LIST	16
ABOUT US	24
PRESS KIT	25

BMW and MINI are trademarks of BMW AG (Bayerische Motoren Werke Aktiengesellschaft)



**Elettromedia**  
62018 Potenza Picena (MC) Italy  
T +39 0733 870 870 - F +39 0733 870 880  
www.elettromedia.it

audison

# Prima



## The design

**Prima Sound Pack, solutions for the entire BMW and Mini range that convert the car cabin into a concert hall. You are free to choose the Sound Pack that best represents you, using the on-line configurator on the [www.audison.eu/PrimaSoundPack](http://www.audison.eu/PrimaSoundPack) page or the compatibility table at the end of this document.**

The built-in Audison AP8.9 bit amplifier ensures the user can get **the most out of the Sound Pack speakers for BMW and Mini**. Audison engineers, through accurate measurements and listening tests, have created **setup files for each BMW and Mini model** (both available for right and left hand driving) that ensure **a superior quality standard going beyond traditional analog technology**. The fine-tuning of **time delays and output stage for each channel**, along with an independent equalization, greatly contributes to the clarity of the music message and to delivering a **hyper-realistic sound stage**. **BMW's and Mini's dedicated setup files** for Audison Prima AP8.9 bit can be downloaded from the [www.audison.eu/PrimaSoundPack](http://www.audison.eu/PrimaSoundPack) portal.

### Tuning with Audison bit Tune



All specifications subject to change without notice\_18.B

BMW and MINI are trademarks of BMW AG (Bayerische Motoren Werke Aktiengesellschaft)



**Elettromedia**  
62018 Potenza Picena (MC) Italy  
T +39 0733 870 870 - F +39 0733 870 880  
[www.elettromedia.it](http://www.elettromedia.it)

audison

## Prima



Prima Sound Pack for BMW and MINI

Aluminum Die-Cast  
basket with removable  
magnet cover



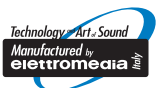
All Prima Sound Pack speakers for BMW and Mini have been developed with **Neodymium Magnetic groups to maximize performance with minimal bulk and weights, core elements of the OEM upgrade.**

The Audison Prima coaxials, two-way kits and subwoofers for BMW and Mini enhance the dynamics of OEM systems, nullifying the distortion even at high listening levels, leaving room only for emotions. Mounting accessories are provided for a Plug & Play installation.

Midrange and coaxial baskets are **made of die-cast aluminum** to provide **high resistance to mechanical stress** and no acoustic resonance. The spokes aerodynamic design ensures very low friction to the air flow generated by the cone movement. These design choices minimize the influence of mechanical structure and installation on the sound. A removable rubber cover, in case of reduced space for installation, protects the magnetic assembly and refines the aesthetics of the product.

**All baskets and fastenings are specially developed for BMW-MINI, as well as all speaker and crossover connections. A 30 cm extension is provided with 2-way systems and coaxials, to facilitate installation in any location: door, door panel or rear deck.**

BMW and MINI are trademarks of BMW AG (Bayerische Motoren Werke Aktiengesellschaft)



**Elettromedia**  
62018 Potenza Picena (MC) Italy  
T +39 0733 870 870 - F +39 0733 870 880  
www.elettromedia.it

audison



Prima



## Coaxial speakers for BMW and MINI

The **APBMW X** coaxials have been designed for BMW-MINI models that do not allow the installation of a two-way system on the front or the upgrade of the rear system.

The 100 mm (4") **APBMW X**, available in the X4E - X4M options, with basket and fixing screws dedicated to the specific car model, feature a **water-repellent pressed-paper cone for natural and color-free mid-range frequencies**.

The 20 mm coil and Tetolon dome tweeter, a material boasting lightness and damping properties, offers **optimized dispersion features for OEM placement**, elevating the sound stage to a realistic level.



APBMW X4E

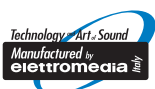


APBMW X4M



Speakers extension cable provided

BMW and MINI are trademarks of BMW AG (Bayerische Motoren Werke Aktiengesellschaft)



**Elettromedia**  
62018 Potenza Picena (MC) Italy  
T +39 0733 870 870 - F +39 0733 870 880  
www.elettromedia.it

audison

Prima



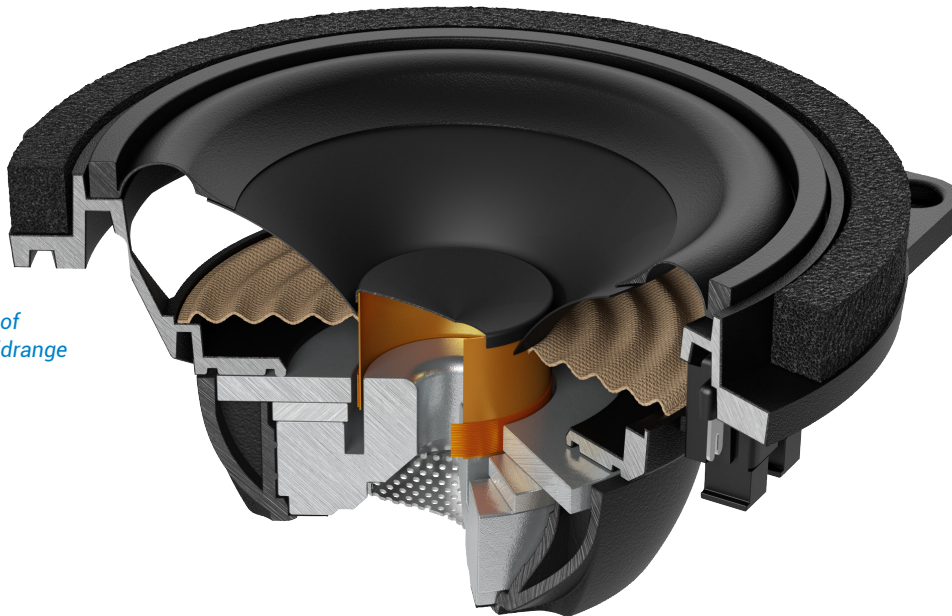
## 2 way system for BMW and MINI



The two-way APBMW K kits create a three-dimensional sound stage and give the musical message the essential timbre accuracy.

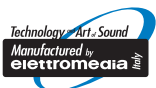
The 100 mm (4") midrange is provided with a water-repellent pressed-paper cone, a material providing natural sound. It features a low resonance frequency that allows hi-pass cut-off in the 150-200 Hz range for an excellent mid-low reproduction.

The 25 mm coil and Tetolon dome tweeter features a great extension on both medium and high frequencies and is optimized for off-axis output, for an **extended sound stage in the three dimensions**, that amplifies the perception of reality in the car cabin.



3D section of  
100 mm midrange

BMW and MINI are trademarks of BMW AG (Bayerische Motoren Werke Aktiengesellschaft)



**Elettromedia**  
62018 Potenza Picena (MC) Italy  
T +39 0733 870 870 - F +39 0733 870 880  
www.elettromedia.it

audison

# Prima



Available in two basket and fixing screws options, K4E and K4M according to the model, **the kit is provided with all BMW custom installation accessories.**

The crossover supplied adopts a slope of 6dB and a tweeter attenuation selectable between 0 and -3dB.

The low-loss factor MKT 150V polypropylene capacitor allows a natural midrange intersection for the benefit of phase linearity and thus **stability of the stereophonic image.**



APBMW K4M



Speakers extension cable and crossover provided



APBMW K4E



Speakers extension cable and crossover provided

BMW and MINI are trademarks of BMW AG (Bayerische Motoren Werke Aktiengesellschaft)



**Elettromedia**  
62018 Potenza Picena (MC) Italy  
T +39 0733 870 870 - F +39 0733 870 880  
www.elettromedia.it



# Prima

## Subwoofer for BMW and MINI



APBMW S8-4 and APBMW S8-2 subwoofers

Subwoofers have been designed with electro-acoustic parameters that maximize performance for the factory box available below the seats. The ABS plastic basket, reinforced with fiberglass, and the acoustic structure featuring a front magnet, provide for a minimal installation depth for a perfect compatibility with the whole range. Two 5 mm polyurethane gaskets, supplied, allow the subwoofer to fit perfectly to the box, decoupling it from vibration.

The 200 mm (8") APBMW S subwoofers allow a "direct replacement" of the OEM speakers underneath the front seats, making the most of the factory acoustic load and generating deep and crisp low frequencies. You can choose between **S8-2 with 2 ohm impedance and S8-4 with 4 ohm impedance** for improved system composition versatility. In fact, in the mid-high passive filtered system configuration, with the crossover provided, **4 of the 8-channels of the AP 8.9 bit can be configured in bridge mode delivering 130W rms to each S8-4 installed under the seat.** The S8-2 can be used in a fully active, multi-amplified front system, maximizing the **power of the AP 8.9 bit at 2 ohms**, and employing additional 2 channels for the rear system. **The Neodymium magnet used on S8-4 and S8-2 allows for greater power and control** than ferrite, while maintaining the depth of installation unaltered.



APBMW S8-4 3D section

**THE COMPONENTS OF THE AUDISON FAMILY PRIMA SOUND PACK FOR BMW AND MINI ELEVATE THE AUDIO SYSTEM PERFORMANCE TO A LEVEL FAR UNIMAGINABLE FOR OEM PLACEMENTS, DELIVERING THE AUTHENTIC AUDISON LISTENING PLEASURE.**

BMW and MINI are trademarks of BMW AG (Bayerische Motoren Werke Aktiengesellschaft)



**Elettromedia**  
62018 Potenza Picena (MC) Italy  
T +39 0733 870 870 - F +39 0733 870 880  
www.elettromedia.it

audison



Prima

# APBMW X4E

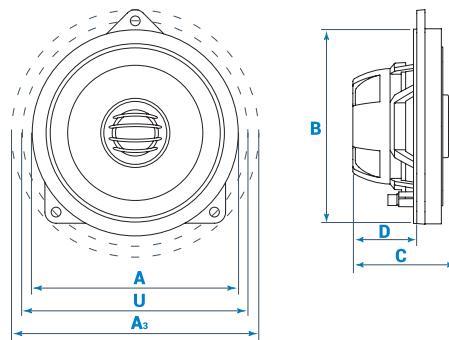
Coaxial for BMW-MINI



TECHNICAL SPECIFICATIONS		
Component		Coax
Midrange size	mm (in.)	100 (4)
Tweeter diaphragm	mm (in.)	24 (0.9)
Power Handling	W peak	80
	W continuous	40
Impedance	Ω	4
Frequency Response	Hz	100 ÷ 22k
Magnet size D x d x h	mm (in.)	50 (1.97) x 29 (1.14) x 3 (0.12)
Weight of one speaker	kg (lb.)	0,5 (1.1)
Woofer Voice Coil Ø	mm (in.)	25 (1)
Tweeter Voice Coil Ø	mm (in.)	20 (0.8)

ELECTRO-ACOUSTIC PARAMETERS		
D	mm	80
Xmax	mm	±0,5
Re	Ω	3,4
Fs	Hz	100
Le	mH	0,32
Vas	l	1,8
Mms	g	5,8
Cms	mm/N	0,5
BL	T·m	5,4
Qts		0,38
Qes		0,4
Qms		6,2
Spl	dB	88

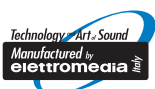
- 1 Specially developed for BMW-Mini models** that do not allow the installation of a two-way system on the front or for rear seat upgrade;
- 2 Neodymium Magnetic group** to maximize performance while minimizing bulk and weight;
- 3 25 mm (1") fiberglass woofer voice coil** for high power dissipation and stiffness;
- 4 Waterproof pressed-paper cone** for medium natural frequencies free from any plastic resonance;
- 5 20 mm (0.8") Tetolon coil tweeter with dispersion characteristics optimized with FEM simulations;**
- 6 BMW-Mini compatible aluminium die-cast basket** with Plug & Play connectors;
- 7 30 cm extension provided featuring Plug & Play connectors,** for high flexibility of installation;
- 8 Damping removable motor cover.**



A	A3	B	C	D	U
119 mm	143 mm	100 mm	67,5 mm	39 mm	129,5 mm
4.69 in.	5.63 in.	3.94 in.	2.66 in.	1.54 in.	5.1 in.



BMW and MINI are trademarks of BMW AG (Bayerische Motoren Werke Aktiengesellschaft)



**Elettromedia**  
62018 Potenza Picena (MC) Italy  
T +39 0733 870 870 - F +39 0733 870 880  
www.elettromedia.it



Prima

# APBMW X4M

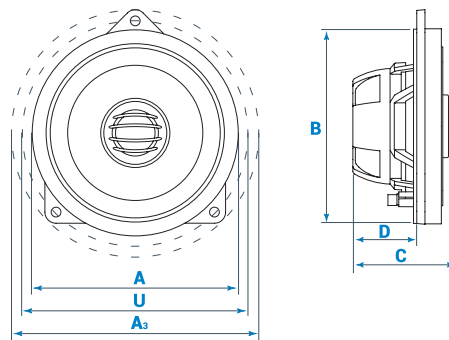
Coaxial for BMW-MINI



TECHNICAL SPECIFICATIONS		
Component		Coax
Midrange size	mm (in.)	100 (4)
Tweeter diaphragm	mm (in.)	24 (0.9)
Power Handling	W peak	80
	W continuous	40
Impedance	Ω	4
Frequency Response	Hz	100 ÷ 22k
Magnet size D x d x h	mm (in.)	50 (1.97) x 29 (1.14) x 3 (0.12)
Weight of one speaker	kg (lb.)	0,4 (1)
Woofer Voice Coil Ø	mm (in.)	25 (1)
Tweeter Voice Coil Ø	mm (in.)	20 (0.8)

ELECTRO-ACOUSTIC PARAMETERS		
D	mm	80
Xmax	mm	±0,5
Re	Ω	3,4
Fs	Hz	100
Le	mH	0,32
Vas	l	1,9
Mms	g	5,1
Cms	mm/N	0,53
BL	T·m	5
Qts		0,4
Qes		0,42
Qms		7,1
Spl	dB	88

- 1 Specially developed for BMW-Mini models** that do not allow the installation of a two-way system on the front or for rear seat upgrade;
- 2 Neodymium Magnetic group** to maximize performance while minimizing bulk and weight;
- 3 25 mm (1") fiberglass woofer voice coil** for high power dissipation and stiffness;
- 4 Waterproof pressed-paper cone** for medium natural frequencies free from any plastic resonance;
- 5 20 mm (0.8") Tetolon coil tweeter with dispersion characteristics optimized with FEM simulations;**
- 6 BMW-Mini compatible aluminium die-cast basket** with Plug & Play connectors;
- 7 30 cm extension provided featuring Plug & Play connectors,** for high flexibility of installation;
- 8 Damping removable motor cover.**



A	A3	B	C	D	U
102 mm	128 mm	91 mm	63,5 mm	44,5 mm	116,5 mm
4.02 in.	5.04 in.	3.58 in.	2.5 in.	1.75 in.	4.59 in.



BMW and MINI are trademarks of BMW AG (Bayerische Motoren Werke Aktiengesellschaft)



**Elettromedia**  
62018 Potenza Picena (MC) Italy  
T +39 0733 870 870 - F +39 0733 870 880  
www.elettromedia.it

audison

Prima

## APBMW K4E

2-way system for  
BMW-MINI



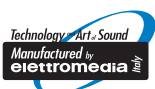
TECHNICAL SPECIFICATIONS		
Component		2-way System
Woofer Size	mm (in.)	100 (4)
Tweeter Size	mm (in.)	29 (1.1)
Power Handling	W peak	100
	W continuous	50
Impedance	Ω	4
Frequency Response	Hz	90 ÷ 23k
Sensitivity	Hz	89
Crossover Type		Hi-Pass: 6 KHz @ 6dB/Oct.
Component adjustment	dB	-3; 0
Woofer Magnet size D x d x h	mm	50 x 29 x 3
	(in.)	(1.97 x 1.14 x 0.12)
Tweeter Magnet size D x d x h	mm	24,5 x 4
	(in.)	(0.96 x 0.16)
Weight of one speaker	Woofer	0,46 (1.02)
	Tweeter	0,06 (0.13)
Voice Coil Ø	Woofer	25 (1)
	Tweeter	25 (1)

ELECTRO-ACOUSTIC PARAMETERS			
		Woofer	Tweeter
D	mm	80	29
Xmax	mm	±0,5	-
Re	Ω	3,3	3,7
Fs	Hz	90	1,6k
Le	mH	0,32	-
Vas	l	1,8	-
Mms	g	6,3	-
Cms	mm/N	0,5	-
BL	T·m	4,8	-
Qts		0,48	-
Qes		0,51	-
Qms		8,2	-
Spl	dB	88	90

- 1 Specially developed for the upgrade of BMW-Mini featuring factory 2 way systems, to create an extended sound stage in the three dimensions, amplifying the perception of reality in the car cabin;
- 2 Neodymium Magnetic group to maximize performance while minimizing bulk and weight;
- 3 25 mm (1") fiberglass woofer voice coil for high power dissipation and stiffness;
- 4 Waterproof pressed-paper cone for medium natural frequencies free from any plastic resonance;
- 5 BMW-Mini compatible aluminium die-cast basket with Plug & Play connectors;
- 6 25 mm Tetolon coil tweeter with dispersion characteristics optimized with FEM simulations;
- 7 Tweeter support supplied for Plug&Play OEM placements;
- 8 30 cm extension provided featuring Plug & Play connectors, for high flexibility of installation;
- 9 Damping removable motor cover;
- 10 Crossover equipped with high quality components and Plug&Play connections.

From R&D to final product  
**KLIPPEL**  
since 2005

BMW and MINI are trademarks of BMW AG (Bayerische Motoren Werke Aktiengesellschaft)



**Elettromedia**  
62018 Potenza Picena (MC) Italy  
T +39 0733 870 870 - F +39 0733 870 880  
www.elettromedia.it

audison

Prima

## APBMW K4M

2-way system for  
BMW-MINI



TECHNICAL SPECIFICATIONS		
Component		2-way System
Woofer Size	mm (in.)	100 (4)
Tweeter Size	mm (in.)	29 (1.1)
Power Handling	W peak	100
	W continuous	50
Impedance	Ω	4
Frequency Response	Hz	90 ÷ 23k
Sensitivity	Hz	89
Crossover Type		Hi-Pass: 6 KHz @ 6dB/Oct.
Component adjustment	dB	-3; 0
Woofer Magnet size D x d x h	mm	50 x 29 x 3
	(in.)	(1.97 x 1.14 x 0.12)
Tweeter Magnet size D x d x h	mm	24,5 x 4
	(in.)	(0.96 x 0.16)
Weight of one speaker	Woofer	0,426 (0.94)
	Tweeter	0,06 (0.13)
Voice Coil Ø	Woofer	25 (1)
	Tweeter	25 (1)

ELECTRO-ACOUSTIC PARAMETERS			
		Woofer	Tweeter
D	mm	80	29
Xmax	mm	±0,5	-
Re	Ω	3,3	3,7
Fs	Hz	90	1,6k
Le	mH	0,32	-
Vas	l	1,8	-
Mms	g	6,4	-
Cms	mm/N	0,5	-
BL	T·m	4,8	-
Qts		0,48	-
Qes		0,51	-
Qms		8,9	-
Spl	dB	88	90

- 1 Specially developed for the upgrade of BMW-Mini featuring factory 2 way systems, to create an extended sound stage in the three dimensions, amplifying the perception of reality in the car cabin;
- 2 Neodymium Magnetic group to maximize performance while minimizing bulk and weight;
- 3 25 mm (1") fiberglass woofer voice coil for high power dissipation and stiffness;
- 4 Waterproof pressed-paper cone for medium natural frequencies free from any plastic resonance;
- 5 BMW-Mini compatible aluminium die-cast basket with Plug & Play connectors;
- 6 25 mm Tetolon coil tweeter with dispersion characteristics optimized with FEM simulations;
- 7 Tweeter support supplied for Plug&Play OEM placements;
- 8 30 cm extension provided featuring Plug & Play connectors, for high flexibility of installation;
- 9 Damping removable motor cover;
- 10 Crossover equipped with high quality components and Plug&Play connections.



BMW and MINI are trademarks of BMW AG (Bayerische Motoren Werke Aktiengesellschaft)



**Elettromedia**  
62018 Potenza Picena (MC) Italy  
T +39 0733 870 870 - F +39 0733 870 880  
www.elettromedia.it





Prima

# APBMW S8-2

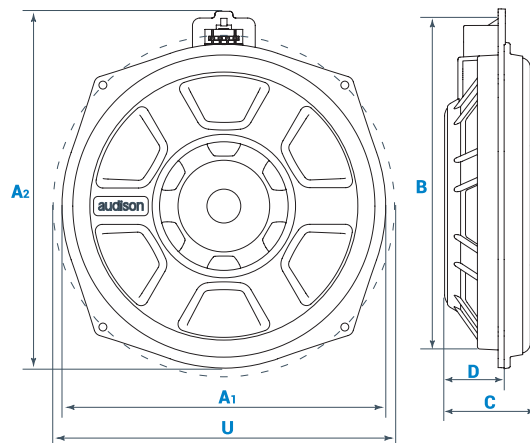
Subwoofer for BMW-MINI



TECHNICAL SPECIFICATIONS		
Component		Woofer
Size	mm (in.)	200 (8)
Power Handling	W peak	300
	W continuous	150
Impedance	Ω	2
Frequency Response	Hz	40 ÷ 500
Magnet size D x d x h	mm (in.)	48 (1.89) x 18 (0.71) x 7 (0.28)
Weight of one speaker	kg (lb.)	1,21 (2.67)
Voice Coil Ø	mm (in.)	50 (2)

ELECTRO-ACOUSTIC PARAMETERS		
D	mm	159
Xmax	mm	±7
Re	Ω	2,2
Fs	Hz	45
Le	mH	0,32
Vas	l	16,3
Mms	g	41
Cms	mm/N	0,3
BL	T·m	5,6
Qts		0,61
Qes		0,83
Qms		2,3
Spl	dB	91

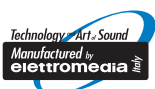
- 1 Developed with electroacoustic parameters customized for BMW-Mini** to increase listening engagement, through powerful and crisp low frequencies, exploiting the acoustic load provided by the factory box;
- 2 Neodymium Magnetic group** with an inverted acoustic structure featuring an internal cone, to maximize performance while minimizing bulk and weight;
- 3 38 mm voice coil wound on aluminium support** for a considerable power dissipation and stability even during high excursions;
- 4 Two 5 mm gaskets provided** for OEM placements;
- 5 2 ohm configuration for maximum output** in combination with AP 8.9 bit in active multi-amplification.



A1	A2	B	C	D	U
217 mm	239 mm	221 mm	62 mm	38 mm	229 mm
8.54 in.	9.41 in.	8.7 in.	2.44 in.	1.5 in.	9.02 in.



BMW and MINI are trademarks of BMW AG (Bayerische Motoren Werke Aktiengesellschaft)



**Elettromedia**  
62018 Potenza Picena (MC) Italy  
T +39 0733 870 870 - F +39 0733 870 880  
www.elettromedia.it

audison

Prima

# APBMW S8-4

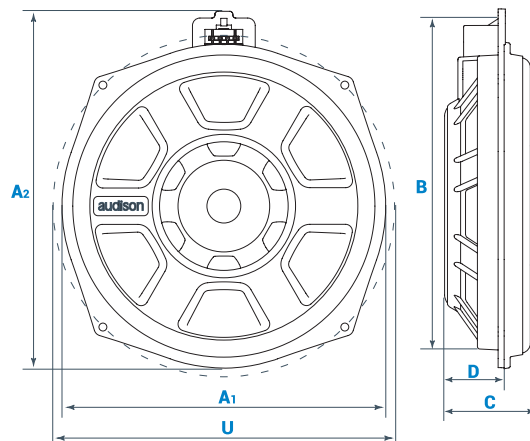
Subwoofer for BMW-MINI



TECHNICAL SPECIFICATIONS		
Component		Woofer
Size	mm (in.)	200 (8)
Power Handling	W peak	300
	W continuous	150
Impedance	Ω	4
Frequency Response	Hz	35 ÷ 500
Magnet size D x d x h	mm (in.)	48 (1.89) x 18 (0.71) x 7 (0.28)
Weight of one speaker	kg (lb.)	1,21 (2.67)
Voice Coil Ø	mm (in.)	50 (2)

ELECTRO-ACOUSTIC PARAMETERS		
D	mm	159
Xmax	mm	±7
Re	Ω	3,8
Fs	Hz	40
Le	mH	0,6
Vas	l	21
Mms	g	43
Cms	mm/N	0,38
BL	T·m	6
Qts		0,72
Qes		1,14
Qms		2
Spl	dB	88

- 1 Developed with electroacoustic parameters customized for BMW-Mini** to increase listening engagement, through powerful and crisp low frequencies, exploiting the acoustic load provided by the factory box;
- 2 Neodymium Magnetic group** with an inverted acoustic structure featuring an internal cone, to maximize performance while minimizing bulk and weight;
- 3 38 mm voice coil wound on aluminium support** for a considerable power dissipation and stability even during high excursions;
- 4 Two 5 mm gaskets provided** for OEM placements;
- 5 4 ohm configuration for maximum output** in combination with the AP 8.9 bit 4 channels bridged.



A1	A2	B	C	D	U
217 mm	239 mm	221mm	62 mm	38 mm	229 mm
8.54 in.	9.41 in.	8.7 in.	2.44 in.	1.5 in.	9.02 in.



BMW and MINI are trademarks of BMW AG (Bayerische Motoren Werke Aktiengesellschaft)



**Elettromedia**  
62018 Potenza Picena (MC) Italy  
T +39 0733 870 870 - F +39 0733 870 880  
www.elettromedia.it

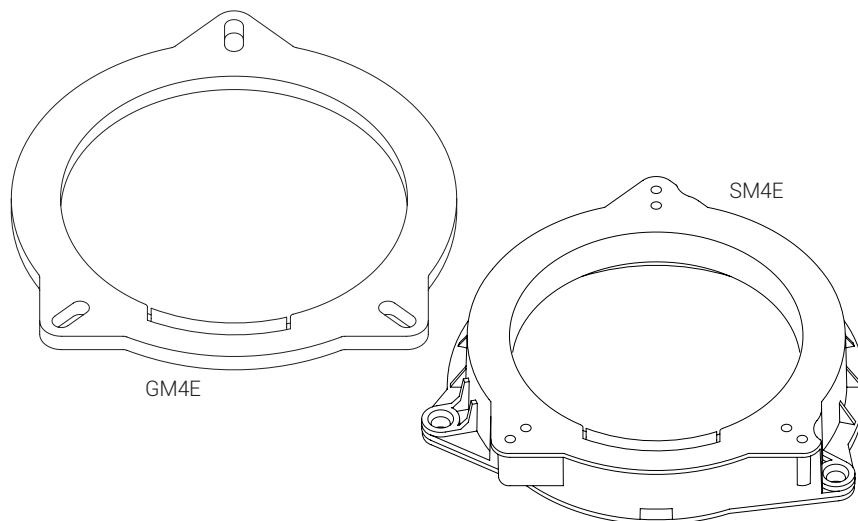


Prima



## APBMW A4E

Accessories Kit



- 1 Specially developed to **fit the midrange and coaxials on vehicles equipped with non-standard fixings**;
- 2 4 SM4E adaptors included for OEM placement of midrange or coaxials on BMW X5 (F15) and X6 (F16);
- 3 4 GM4E adaptors included for OEM placement of midrange or coaxials on BMW 5 series sedan (G30) and station wagon (G31);
- 4 Made of ABS and equipped with sealing gasket and fixing screws.

BMW and MINI are trademarks of BMW AG (Bayerische Motoren Werke Aktiengesellschaft)



**Elettromedia**  
62018 Potenza Picena (MC) Italy  
T +39 0733 870 870 - F +39 0733 870 880  
www.elettromedia.it

audison

## AUDISON PRIMA SPEAKERS FOR BMW® - MINI® - COMPATIBILITY LIST

BMW / Mini vehicle					4ohm Subwoofer	2ohm Subwoofer	large basket 2Way Kit	small basket 2Way Kit	large basket Coaxial	small basket Coaxial
Model	Version	Chassis	From year	To year	APBMW S8-4	APBMW S8-2	APBMW K4E	APBMW K4M	APBMW X4E	APBMW X4M

1 series	3-Door	E81	2007	2012	Underseat	Underseat	Base audio: Front door <sup>1</sup> Hi-Fi: Front door Top-HIFI: Front door	Base audio: NC Hi-Fi: Rear shelf Top-HIFI: Rear shelf	Base audio: Front door Hi-Fi: Front door Top-HIFI: Front door	Base audio: Rear shelf Hi-Fi: Rear shelf Top-HIFI: Rear shelf
1 series	Coupé	E82	2007	2013	Underseat	Underseat	Base audio: Front door <sup>1</sup> Hi-Fi: Front door Top-HIFI: Front door	Base audio: NC Hi-Fi: Rear shelf Top-HIFI: Rear shelf	Base audio: Front door Hi-Fi: Front door Top-HIFI: Front door	Base audio: Rear shelf Hi-Fi: Rear shelf Top-HIFI: Rear shelf
1 series	5-Door	E87	2004	2011	Underseat	Underseat	Base audio: Front door <sup>1</sup> Hi-Fi: Front door Top-HIFI: Front door	Base audio: NC Hi-Fi: Rear shelf Top-HIFI: Rear shelf	Base audio: Front door Hi-Fi: Front door Top-HIFI: Front door	Base audio: Rear shelf Hi-Fi: Rear shelf Top-HIFI: Rear shelf
1 series	Cabrio	E88	2007	2013	Underseat	Underseat	Base audio: Front door <sup>1</sup> Hi-Fi: Front door Top-HIFI: Front and rear side	NC	Base audio: Front door and rear side Hi-Fi: Front and rear door Top-HIFI: Front door and rear side	NC
1 series	5-Door	F20	2011		Underseat	Underseat	Base audio: Front door <sup>1</sup> Hi-Fi: Front door Top-HIFI: Front door	Base audio: NC Hi-Fi: Centre Top-HIFI: Centre and Rear shelf	Base audio: Front door Hi-Fi: Front door Top-HIFI: Front door	Base audio: Rear shelf Hi-Fi: Rear shelf Top-HIFI: Rear shelf
1 series	3-Door	F21	2012		Underseat	Underseat	Base audio: Front door <sup>1</sup> Hi-Fi: Front door Top-HIFI: Front door	Base audio: NC Hi-Fi: Centre Top-HIFI: Centre and rear shelf	Base audio: Front door Hi-Fi: Front door Top-HIFI: Front door	Base audio: Rear shelf Hi-Fi: Rear shelf Top-HIFI: Rear shelf
1 series	Sedan	F52	2015		Underseat	Underseat	Base audio: Front door <sup>1</sup> Hi-Fi: Front door Top-HIFI: Front door	NC	Base audio: Front and rear door Hi-Fi: Front and rear door Top-HIFI: Front and rear door	NC
2 series	Coupé	F22	2014		Underseat	Underseat	Base audio: Front door <sup>1</sup> Hi-Fi: Front door Top-HIFI: Front door	Base audio: Rear shelf Hi-Fi: Centre and Rear shelf Top-HIFI: Centre and rear shelf	Base audio: Front door Hi-Fi: Front door Top-HIFI: Front door	NC
2 series	Cabrio	F23	2014		Underseat	Underseat	Base audio: Front door <sup>1</sup> Hi-Fi: Front door Top-HIFI: Front door	Base audio: NC Hi-Fi: Centre Top-HIFI: Centre	Base audio: Front door and rear side Hi-Fi: Front door and rear side Top-HIFI: Front door and rear side	NC
2 series	Active Tourer	F45	2015		Underseat	Underseat	Base audio: Front door <sup>1</sup> Hi-Fi: Front door Top-HIFI: Front door	Base audio: NC Hi-Fi: Centre Top-HIFI: Centre	Base audio: Front and rear door Hi-Fi: Front and rear door Top-HIFI: Front and rear door	NC

BMW and MINI are trademarks of BMW AG (Bayerische Motoren Werke Aktiengesellschaft)



**Elettromedia**  
62018 Potenza Picena (MC) Italy  
T +39 0733 870 870 - F +39 0733 870 880  
www.elettromedia.it



All specifications subject to change without notice\_18 B



## AUDISON PRIMA SPEAKERS FOR BMW® - MINI® - COMPATIBILITY LIST

BMW / Mini vehicle					4ohm Subwoofer	2ohm Subwoofer	large basket 2Way Kit	small basket 2Way Kit	large basket Coaxial	small basket Coaxial
Model	Version	Chassis	From year	To year	APBMW S8-4	APBMW S8-2	APBMW K4E	APBMW K4M	APBMW X4E	APBMW X4M

2 series	Gran Tourer	F46	2015			Underseat	Underseat	Base audio: Front door <sup>1</sup> Hi-Fi: Front door Top-HIFI: Front door	Base audio: NC Hi-Fi: Centre Top-HIFI: Centre	Base audio: Front and rear door Hi-Fi: Front and rear door Top-HIFI: Front and rear door	NC
2 series	M2	F87	2015			Underseat	Underseat	Base audio: Front door <sup>1</sup> Hi-Fi: Front door Top-HIFI: Front door	Base audio: Rear shelf Hi-Fi: Centre and Rear shelf Top-HIFI: Centre and rear shelf	Base audio: Front door Hi-Fi: Front door Top-HIFI: Front door	NC
3 series	Limo/Sedan	E90	2005	2011		Underseat	Underseat	Base audio: Front door <sup>1</sup> Hi-Fi: Front door Top-HIFI: Front door	Base audio: Rear shelf Hi-Fi: Rear shelf Top-HIFI: Rear shelf	Base audio: Front door and rear door Hi-Fi: Front and rear door Top-HIFI: Front and rear door	NC
3 series	Touring	E91	2005	2012		Underseat	Underseat	Base audio: Front door <sup>1</sup> Hi-Fi: Front and rear door Top-HIFI: Front and rear door	NC	Base audio: Front and rear door Hi-Fi: Front and rear door Top-HIFI: Front and rear door	NC
3 series	Coupé	E92	2006	2013		Underseat	Underseat	Base audio: Front door <sup>1</sup> Hi-Fi: Front door Top-HIFI: Front door and rear side	NC	Base audio: Front door and rear side Hi-Fi: Front door and rear side Top-HIFI: Front door and rear side	NC
3 series	Cabrio	E93	2007	2013		Underseat	Underseat	Base audio: Front door <sup>1</sup> Hi-Fi: Front door Top-HIFI: Front door and rear side	NC	Base audio: Front door and rear side Hi-Fi: Front door and rear side Top-HIFI: Front door and rear side	NC
3 series	Sedan	F30	2012			Underseat	Underseat	Base audio: Front door <sup>1</sup> Hi-Fi: Front door Top-HIFI: Front and rear door	Base audio: NC Hi-Fi: Centre Top-HIFI: Centre and Rear shelf	Base audio: Front and rear door Hi-Fi: Front and rear door Top-HIFI: Front and rear door	NC
3 series	Touring	F31	2012			Underseat	Underseat	Base audio: Front door <sup>1</sup> Hi-Fi: Front door Top-HIFI: Front and rear door	Base audio: NC Hi-Fi: Centre Top-HIFI: Centre	Base audio: Front and rear door Hi-Fi: Front and rear door Top-HIFI: Front and rear door	NC
3 series	GT	F34	2013			Underseat	Underseat	Base audio: Front door <sup>1</sup> Hi-Fi: Front door Top-HIFI: Front and rear door	Base audio: NC Hi-Fi: Centre Top-HIFI: Centre and Rear shelf	Base audio: Front and rear door Hi-Fi: Front and rear door Top-HIFI: Front and rear door	NC
3 series	Limo	F35	2014			Underseat	Underseat	Base audio: Front door <sup>1</sup> Hi-Fi: Front door Top-HIFI: Front and rear door	Base audio: NC Hi-Fi: Centre Top-HIFI: Centre and Rear shelf	Base audio: Front and rear door Hi-Fi: Front and rear door Top-HIFI: Front and rear door	NC

All specifications subject to change without notice\_18.B

BMW and MINI are trademarks of BMW AG (Bayerische Motoren Werke Aktiengesellschaft)



**Elettromedia**  
62018 Potenza Picena (MC) Italy  
T +39 0733 870 870 - F +39 0733 870 880  
www.elettromedia.it

## AUDISON PRIMA SPEAKERS FOR BMW® - MINI® - COMPATIBILITY LIST

BMW / Mini vehicle					4ohm Subwoofer	2ohm Subwoofer	large basket 2Way Kit	small basket 2Way Kit	large basket Coaxial	small basket Coaxial
Model	Version	Chassis	From year	To year	APBMW S8-4	APBMW S8-2	APBMW K4E	APBMW K4M	APBMW X4E	APBMW X4M

3 series	M3	F80	2014		Underseat	Underseat	Base audio: Front door <sup>1</sup> Hi-Fi: Front door Top-HIFI: Front door and rear side	Base audio: NC Hi-Fi: Centre and rear shelf Top-HIFI: Centre and Rear shelf	Base audio: Front door and rear side Hi-Fi: Front and rear side Top-HIFI: Front and rear side	NC
4 series	Coupé	F32	2013		Underseat	Underseat	Base audio: Front door <sup>1</sup> Hi-Fi: Front door Top-HIFI: Front door and rear side	Base audio: NC Hi-Fi: Centre and rear shelf Top-HIFI: Centre and rear shelf	Base audio: Front door and rear side Hi-Fi: Front door and rear side Top-HIFI: Front and rear side	NC
4 series	Cabrio	F33	2013		Underseat	Underseat	Base audio: Front door <sup>1</sup> Hi-Fi: Front door Top-HIFI: Front door and rear side	Base audio: NC Hi-Fi: Centre Top-HIFI: Centre	Base audio: Front door and rear side Hi-Fi: Front and rear side Top-HIFI: Front door and rear side	NC
4 series	Gran Coupé	F36	2014		Underseat	Underseat	Base audio: Front door <sup>1</sup> Hi-Fi: Front door Top-HIFI: Front and rear door	Base audio: NC Hi-Fi: Centre and rear shelf Top-HIFI: Centre and rear shelf	Base audio: Front door and rear door Hi-Fi: Front and rear door Top-HIFI: Front and rear door	NC
4 series	M4	F82	2014		Underseat	Underseat	Base audio: Front door <sup>1</sup> Hi-Fi: Front door Top-HIFI: Front and rear side	Base audio: NC Hi-Fi: Centre and rear shelf Top-HIFI: Centre and rear shelf	Base audio: Front door and rear side Hi-Fi: Front door and rear side Top-HIFI: Front door and rear side	NC
4 series	M4 Cabrio	F83	2014		Underseat	Underseat	Base audio: Front door <sup>1</sup> Hi-Fi: Front door Top-HIFI: Front and rear side	Base audio: NC Hi-Fi: Centre Top-HIFI: Centre	Base audio: Front door and rear side Hi-Fi: Front door and rear side Top-HIFI: Front and rear side	NC
5 series	Limo/Sedan	E60	2004	2010	Underseat	Underseat	NC	Base audio: Front door <sup>1</sup> and rear shelf Hi-Fi: Front door and rear shelf Top-HIFI: Front door and rear shelf	NC	Base audio: Front door Hi-Fi: Front door Top-HIFI: Front door, Rear door
5 series	Touring	E61	2004	2010	Underseat	Underseat	NC	Base audio: Front door <sup>1</sup> and rear roof Hi-Fi: Front door and rear roof Top-HIFI: Front door and rear roof	NC	Base audio: Front door Hi-Fi: Front door Top-HIFI: Front door, Rear door
5 series	GT	F07	2009	2017	Underseat	Underseat	NC	Base audio: Front door <sup>1</sup> Hi-Fi: Front door, rear door and centre Top-HIFI: Front door, rear door, centre <sup>3</sup> and C-pillar	NC	Base audio: Front and rear door Hi-Fi: Front door, rear door Top-HIFI: Front door, rear door and C-pillar
5 series	Sedan	F10	2010	2016	Underseat	Underseat	Base audio: Front door <sup>1</sup> Hi-Fi: Front door Top-HIFI: Front and rear door	Base audio: Rear shelf Hi-Fi: Centre and rear shelf Top-HIFI: Centre <sup>3</sup> and rear shelf	Base audio: Front door Hi-Fi: Front door Top-HIFI: Front and rear door	NC

All specifications subject to change without notice\_18.B

BMW and MINI are trademarks of BMW AG (Bayerische Motoren Werke Aktiengesellschaft)



**Elettromedia**  
62018 Potenza Picena (MC) Italy  
T +39 0733 870 870 - F +39 0733 870 880  
www.elettromedia.it



## AUDISON PRIMA SPEAKERS FOR BMW® - MINI® - COMPATIBILITY LIST

BMW / Mini vehicle					4ohm Subwoofer	2ohm Subwoofer	large basket 2Way Kit	small basket 2Way Kit	large basket Coaxial	small basket Coaxial
Model	Version	Chassis	From year	To year	APBMW S8-4	APBMW S8-2	APBMW K4E	APBMW K4M	APBMW X4E	APBMW X4M

5 series	Touring	F11	2010	2016	Underseat	Underseat	Base audio: Front door <sup>1</sup> Hi-Fi: Front door Top-HIFI: Front and rear door	Base audio: Rear roof Hi-Fi: Centre and rear roof Top-HIFI: Centre <sup>3</sup> and Rear roof	Base audio: Front door Hi-Fi: Front door Top-HIFI: Front and Rear door	NC
5 series	Limousine	F18	2010	2016	Underseat	Underseat	Base audio: Front door <sup>1</sup> Hi-Fi: Front door Top-HIFI: Front and rear door	Base audio: Rear shelf Hi-Fi: Centre and rear shelf Top-HIFI: Centre <sup>3</sup> and rear shelf	Base audio: Front door Top-HIFI: Front and rear door	NC
5 series	Limo/Sedan	G30	2017		Underseat	Underseat	Base audio: Front door <sup>1</sup> Hi-Fi: Front door Top-HIFI: Front and rear door	Base audio: Rear shelf Hi-Fi: Centre and rear shelf Top-HIFI: Centre <sup>3</sup> and rear shelf	Base audio: Front door Hi-Fi: Front door Top-HIFI: Front and rear door	NC
5 series	Touring	G31	2017		Underseat	Underseat	Base audio: Front door <sup>1</sup> Hi-Fi: Front door Top-HIFI: Front and rear door	Base audio: NC Hi-Fi: Centre and rear roof Top-HIFI: Centre <sup>3</sup> and rear roof	Base audio: Front door Hi-Fi: Front door Top-HIFI: Front and Rear door	Base audio: rear roof Hi-Fi: rear roof Top-HIFI: rear roof
6 series	Gran Coupé	F06	2011		Underseat	Underseat	Hi-Fi: Front door Top-HIFI: Front and rear door	Hi-Fi: Centre Top-HIFI: Centre <sup>3</sup> and rear shelf	Hi-Fi: Front and rear door Top-HIFI: Front and rear door	NC
6 series	Cabrio	F12	2011		Underseat	Underseat	Hi-Fi: Front door Top-HIFI: Front door and rear side	Hi-Fi: Centre Top-HIFI: Centre <sup>3</sup>	Hi-Fi: Front and rear side Top-HIFI: Front door and rear side	NC
6 series	Coupé	F13	2011		Underseat	Underseat	Hi-Fi: Front door Top-HIFI: Front door and rear side	Hi-Fi: Centre Top-HIFI: Centre <sup>3</sup> and rear shelf	Hi-Fi: Front and rear side Top-HIFI: Front door and rear side	NC
6 series	Gran Coupé M	F14	2011		Underseat	Underseat	Hi-Fi: Front door Top-HIFI: Front and rear door	Hi-Fi: Centre Top-HIFI: Centre <sup>3</sup> and rear shelf	Hi-Fi: Front and rear door Top-HIFI: Front and rear door	NC
7 series	Sedan	F01	2008	2015	Underseat	Underseat	NC	Hi-Fi: Centre, front door, and rear shelf Top-HIFI: Centre, front door, rear door and rear shelf	NC	Hi-Fi: Front door Top-HIFI: Front and rear door
7 series	Limo	F02	2008	2015	Underseat	Underseat	NC	Hi-Fi: Centre, front door, and rear shelf Top-HIFI: Centre, front door, rear door and rear shelf	NC	Hi-Fi: Front door Top-HIFI: Front and rear door

BMW and MINI are trademarks of BMW AG (Bayerische Motoren Werke Aktiengesellschaft)



**Elettromedia**  
62018 Potenza Picena (MC) Italy  
T +39 0733 870 870 - F +39 0733 870 880  
www.elettromedia.it

audison

## AUDISON PRIMA SPEAKERS FOR BMW® - MINI® - COMPATIBILITY LIST

BMW / Mini vehicle					4ohm Subwoofer	2ohm Subwoofer	large basket 2Way Kit	small basket 2Way Kit	large basket Coaxial	small basket Coaxial
Model	Version	Chassis	From year	To year	APBMW S8-4	APBMW S8-2	APBMW K4E	APBMW K4M	APBMW X4E	APBMW X4M

7 series	Security	F03	2008	2015	Underseat	Underseat	NC	Hi-Fi: Centre, front door, and rear shelf Top-HIFI: Centre, front door, rear door and rear shelf	NC	Hi-Fi: Front door Top-HIFI: Front and rear door
7 series	Hybrid	F04	2008	2015	Underseat	Underseat	NC	Hi-Fi: Centre, front door, and rear shelf Top-HIFI: Centre, front door, rear door and rear shelf	NC	Hi-Fi: Front door Top-HIFI: Front and rear door
7 series	Sedan	G11	2016		Underseat	Underseat	Hi-Fi: Front and rear door Top-HIFI: Front and rear door	Hi-Fi: Centre Top-HIFI: Centre and rear shelf	Hi-Fi: Front and rear door Top-HIFI: Front and rear door	NC
7 series	Limo	G12	2016		Underseat	Underseat	Hi-Fi: Front and rear door Top-HIFI: Front and rear door	Hi-Fi: Centre Top-HIFI: Centre and rear shelf	Hi-Fi: Front and rear door Top-HIFI: Front and rear door	NC
Mini	5-door Hatch	F55	2014		Underseat	Underseat	Base audio: Front door <sup>1</sup> Hi-Fi: Front and rear door	Base audio: NC Hi-Fi: Centre	Base audio: Front and rear door Hi-Fi: Front and rear door	NC
Mini	3-door Hatch	F56	2014		Underseat	Underseat	Base audio: Front door <sup>1</sup> Hi-Fi: Front door and rear side	Base audio: NC Hi-Fi: Centre	Base audio: Front door and rear side Hi-Fi: Front door and rear side	NC
Mini	Clubman	R55	2006	2014	NC	NC	NC	Base audio: Front door <sup>1</sup> Hi-Fi: Front door	NC	Base audio: Front door Hi-Fi: Front door
Mini	3-door Hatch	R56	2006	2013	NC	NC	NC	Base audio: Front door <sup>1</sup> Hi-Fi: Front door	NC	Base audio: Front door Hi-Fi: Front door
Mini	Cabrio	R57	2008	2014	NC	NC	NC	Base audio: Front door <sup>1</sup> Hi-Fi: Front door	NC	Base audio: Front door Hi-Fi: Front door
Mini	Coupé	R58	2011	2015	NC	NC	NC	Base audio: Front door <sup>1</sup> Hi-Fi: Front door	NC	Base audio: Front door Hi-Fi: Front door

All specifications subject to change without notice\_18.B

BMW and MINI are trademarks of BMW AG (Bayerische Motoren Werke Aktiengesellschaft)



**Elettromedia**  
62018 Potenza Picena (MC) Italy  
T +39 0733 870 870 - F +39 0733 870 880  
www.elettromedia.it





## AUDISON PRIMA SPEAKERS FOR BMW® - MINI® - COMPATIBILITY LIST

BMW / Mini vehicle					4ohm Subwoofer	2ohm Subwoofer	large basket 2Way Kit	small basket 2Way Kit	large basket Coaxial	small basket Coaxial
Model	Version	Chassis	From year	To year	APBMW S8-4	APBMW S8-2	APBMW K4E	APBMW K4M	APBMW X4E	APBMW X4M

Mini	Roadster	R59	2011	2015	NC	NC	NC	Base audio: Front door <sup>1</sup> Hi-Fi: Front door	NC	Base audio: Front door Hi-Fi: Front door
Mini	Countryman	R60	2010	2016	Underseat	Underseat	NC	Base audio: Front door <sup>1</sup> Hi-Fi: Front and rear door	NC	Base audio: Front and rear door Hi-Fi: Front and rear door
Mini	Paceman	R61	2012	2016	Underseat	Underseat	NC	Base audio: Front door <sup>1</sup> Hi-Fi: Front and rear side	NC	Base audio: Front and rear side Hi-Fi: Front and rear side
Mini	Clubman	F54	2015		Underseat	Underseat	Base audio: Front door <sup>1</sup> Hi-Fi: Front door and rear door	Base audio: NC Hi-Fi: Centre	Base audio: Front door and rear door Hi-Fi: Front door and rear door	NC
Mini	Countryman	F60	2017		Underseat	Underseat	Base audio: Front door <sup>1</sup> Hi-Fi: Front door and rear door	Base audio: NC Hi-Fi: Centre	Base audio: Front door and rear door Hi-Fi: Front door and rear door	NC
Mini	Cabrio	F57	2015		Underseat	Underseat	Base audio: Front door <sup>1</sup> Hi-Fi: Front door and rear side	Base audio: NC Hi-Fi: Centre	Base audio: Front door and rear side Hi-Fi: Front door and rear side	NC
X1	SUV	E84	2010	2015	Underseat	Underseat	Base audio: Front door <sup>1</sup> Hi-Fi: Front door Top-HIFI: Front door	Base audio: NC Hi-Fi: NC Top-HIFI: Rear shelf	Base audio: Front door Hi-Fi: Front door Top-HIFI: Front door	Base audio: Rear shelf Hi-Fi: Rear shelf Top-HIFI: Rear shelf
X1	SUV	F48	2016		Underseat	Underseat	Base audio: Front door <sup>1</sup> Hi-Fi: Front door Top-HIFI: Front and rear door	Base audio: NC Hi-Fi: Centre Top-HIFI: Centre	Base audio: Front and rear door Hi-Fi: Front and rear door Top-HIFI: Front and rear door	NC
X1	SUV Limo	F49	2016		Underseat	Underseat	Base audio: Front door <sup>1</sup> Hi-Fi: Front door Top-HIFI: Front and rear door	Base audio: NC Hi-Fi: Centre Top-HIFI: Centre	Base audio: Front and rear door Hi-Fi: Front and rear door Top-HIFI: Front and rear door	NC
X3	SUV	E83	2003	2010	Underseat	Underseat	NC	Base audio: Front door <sup>1</sup> Hi-Fi: Front door Top-HIFI: Front door and rear door	NC	Base audio: Front and rear door Hi-Fi: Front and rear door Top-HIFI: Front and rear door

All specifications subject to change without notice\_18.B

BMW and MINI are trademarks of BMW AG (Bayerische Motoren Werke Aktiengesellschaft)



**Elettromedia**  
62018 Potenza Picena (MC) Italy  
T +39 0733 870 870 - F +39 0733 870 880  
www.elettromedia.it



## AUDISON PRIMA SPEAKERS FOR BMW® - MINI® - COMPATIBILITY LIST

BMW / Mini vehicle					4ohm Subwoofer	2ohm Subwoofer	large basket 2Way Kit	small basket 2Way Kit	large basket Coaxial	small basket Coaxial
Model	Version	Chassis	From year	To year	APBMW S8-4	APBMW S8-2	APBMW K4E	APBMW K4M	APBMW X4E	APBMW X4M

X3	SUV	F25	2011	2017	Underseat	Underseat	Base audio: Front door <sup>1</sup> Hi-Fi: Front and rear door Top-HIFI: Front and rear door	Base audio: NC Hi-Fi: Centre Top-HIFI: Centre and D-pillar	Base audio: Front and rear door Hi-Fi: Front and rear door Top-HIFI: Front and rear door	Base audio: NC Hi-Fi: NC Top-HIFI: D-pillar
X4	SUV	F26	2014		Underseat	Underseat	Base audio: Front door Hi-Fi: Front and rear door Top-HIFI: Front door and D-pillar	Base audio: NC Hi-Fi: Centre Top-HIFI: Centre	Base audio: Front and rear door Hi-Fi: Front and rear door Top-HIFI: Front door and D-pillar	Base audio: NC Hi-Fi: Centre Top-HIFI: Centre
X5	SUV	E70	2007	2013	Underseat	Underseat	NC	Base audio: Front door <sup>1</sup> Hi-Fi: Front, rear door and centre Top-HIFI: Front door, rear door, centre and D-pillar	NC	Base audio: Front and rear door Hi-Fi: Front, rear door and centre Top-HIFI: Front door, rear door, centre and D-pillar
X5	SUV	F15	2014		Underseat	Underseat	Base audio: Front door <sup>1,2</sup> Hi-Fi: Front door <sup>2</sup> Top-HIFI: Front door <sup>2</sup> and rear door <sup>2</sup>	Base audio: NC Hi-Fi: Centre Top-HIFI: Centre and D-pillar	Base audio: Front door <sup>2</sup> and rear door <sup>2</sup> Hi-Fi: Front door <sup>2</sup> and rear door <sup>2</sup> Top-HIFI: Front door <sup>2</sup> and rear door <sup>2</sup>	Base audio: NC Hi-Fi: NC Top-HIFI: D-pillar
X5	X5 M	F85	2014		Underseat	Underseat	Base audio: Front door <sup>1,2</sup> Hi-Fi: Front door <sup>2</sup> Top-HIFI: Front door <sup>2</sup> and rear door <sup>2</sup>	Base audio: NC Hi-Fi: Centre Top-HIFI: Centre and D-pillar	Base audio: Front door <sup>2</sup> and rear door <sup>2</sup> Hi-Fi: Front door <sup>2</sup> and rear door <sup>2</sup> Top-HIFI: Front door <sup>2</sup> and rear door <sup>2</sup>	Base audio: NC Hi-Fi: NC Top-HIFI: D-pillar
X6	SUV	E71	2008	2014	Underseat	Underseat	NC	Base audio: Front door <sup>1</sup> Hi-Fi: Front door and rear door Top-HIFI: Front door, rear door, centre and D-pillar	NC	Base audio: Front and rear door Hi-Fi: Front door, rear door and centre Top-HIFI: Front door, rear door, centre and D-pillar
X6	Hybrid	E72	2008	2014	Underseat	Underseat	NC	Base audio: Front door <sup>1</sup> Hi-Fi: Front door and rear door Top-HIFI: Front door, rear door, centre and D-pillar	NC	Base audio: Front and rear door Hi-Fi: Front door, rear door and centre Top-HIFI: Front door, rear door, centre and D-pillar
X6	SUV	F16	2014		Underseat	Underseat	Base audio: Front door <sup>1,2</sup> Hi-Fi: Front door <sup>2</sup> Top-HIFI: Front door <sup>2</sup> and rear door <sup>2</sup>	Base audio: NC Hi-Fi: Centre Top-HIFI: Centre <sup>3</sup> and D-pillar	Base audio: Front door <sup>2</sup> and rear door <sup>2</sup> Hi-Fi: Front door <sup>2</sup> and rear door <sup>2</sup> Top-HIFI: Front door <sup>2</sup> and rear door <sup>2</sup>	Base audio: NC Hi-Fi: NC Top-HIFI: D-pillar
X6	X6 M	F86	2014		Underseat	Underseat	Base audio: Front door <sup>1,2</sup> Hi-Fi: Front door <sup>2</sup> Top-HIFI: Front door <sup>2</sup> and rear door <sup>2</sup>	Base audio: NC Hi-Fi: Centre Top-HIFI: Centre <sup>3</sup> and D-pillar	Base audio: Front door <sup>2</sup> and rear door <sup>2</sup> Hi-Fi: Front door <sup>2</sup> and rear door <sup>2</sup> Top-HIFI: Front door <sup>2</sup> and rear door <sup>2</sup>	Base audio: NC Hi-Fi: NC Top-HIFI: D-pillar
Z4	Roadster	E89	2009	2016	Rear panel	Rear panel	NC	Base audio: Front door <sup>1</sup> Hi-Fi: Front door and centre Top-HIFI: Front door, rear side and centre	NC	Base audio: Front door and rear side Hi-Fi: Front door and rear side Top-HIFI: Front door and rear side

All specifications subject to change without notice\_18 B

BMW and MINI are trademarks of BMW AG (Bayerische Motoren Werke Aktiengesellschaft)



**Elettromedia**  
62018 Potenza Picena (MC) Italy  
T +39 0733 870 870 - F +39 0733 870 880  
www.elettromedia.it



## AUDISON PRIMA SPEAKERS FOR BMW® - MINI® - COMPATIBILITY LIST

- 1

OEM TW placement needed (on A-pillar or door triangle). To install the Audison APBMW T1 tweeter the car must be equipped with the OEM tweeter placement. If it is not available you need to purchase a genuine door triangle or A-pillar from a BMW dealer.

- 2

Audison APBMW A4E needed. The APBMW A4E is composed by speaker ring adapters which are necessary only on specific car models.

- 3

Not compatible with Bang&Olufsen® OEM sound systems.

- NC

Not compatible

- Base audio

Base OEM sound systems. With Base audio we refer to BMW OEM sound systems w/o front door OEM tweeters placement and w/o OEM amplifier.

- Top-HIFI

Amplified OEM sound systems. With Top-HIFI we refer to the following BMW OEM sound systems: Top-HIFI®, HI-End®, Individual®, Logic 7®, Professional DSP®, Bang&Olufsen® and Surround Sound®. Vehicles featuring this kind of OEM sound systems are equipped with a M.O.S.T. amplifier in the trunk. They are also equipped with OEM front door tweeters so OEM A-pillar or door triangle for Audison APBMW T1 tweeter placement are not required.

- Hi-Fi

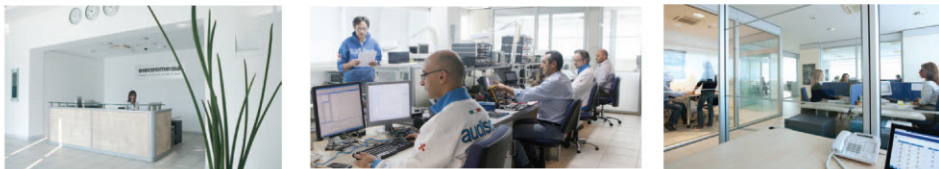
Amplified OEM sound system. With Hi-Fi we refer to the following BMW OEM sound systems: HI-FI®. Vehicles featuring this kind of sound systems are equipped with OEM front door tweeters so OEM A-pillar or door triangle for Audison APBMW T1 tweeter placements are not required.

BMW and MINI are trademarks of BMW AG (Bayerische Motoren Werke Aktiengesellschaft)



**Elettromedia**  
62018 Potenza Picena (MC) Italy  
T +39 0733 870 870 - F +39 0733 870 880  
www.elettromedia.it

audison



## ABOUT US

Elettromedia, an Italian company, is a worldwide leader within the car Hi-Fi industry. Established in 1987 in Potenza Picena by a group of friends who shared the same passion for in-car high fidelity, throughout the past years Elettromedia has been walking the path of excellence: its products are distributed in more than 60 countries; the company has received many awards and acknowledgements from the most authoritative leaders within the car audio industry; it also boasts reviews of more than 3000 pages published in 30 different languages (visit: [www.elettromedia.com/media-centre/press-review/](http://www.elettromedia.com/media-centre/press-review/)).

Elettromedia's brands include Audison, Hertz, Connection and AZaudiocomp.

Through a co-branding strategy, the company offers all of the components required for a complete, top-level car audio system.

### Contacts: Elettromedia s.r.l.

Strada Regina km 3,500 - 62018 Potenza Picena (Mc) - Italy

T +39 0733 870 870 - F +39 0733 870 880 - [www.elettromedia.it](http://www.elettromedia.it)

## AWARDS




# Prima

## Press Kit

(www.elettromedia.eu, Press Room)

### Prima Product Information

(PDF version, 150 dpi resolution)

### Logos: Audison, Prima

(Adobe Illustrator version, 300 dpi resolution)

Photo (JPG version, 300 dpi resolution)



APBMW X4E



APBMW X4M



APBMW S8



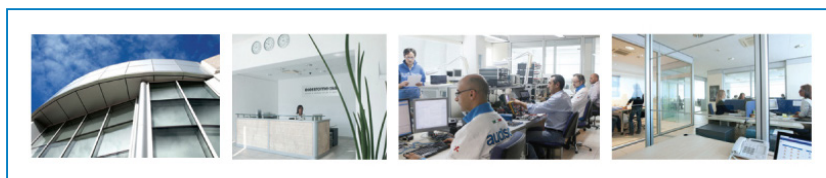
APBMW K4E



APBMW K4M



### Tecnologies



### Sede Elettromedia

BMW and MINI are trademarks of BMW AG (Bayerische Motoren Werke Aktiengesellschaft)



**Elettromedia**  
62018 Potenza Picena (MC) Italy  
T +39 0733 870 870 - F +39 0733 870 880  
www.elettromedia.it

audison



[www.audison.eu](http://www.audison.eu)

**audison**  
ISTINTO  
INNOVATIVO

**PART OF ELETTRONEDIA**  
62018 Potenza Picena (MC) Italy  
T +39 0733 870 870 - F +39 0733 870 880  
[www.elettromedia.it](http://www.elettromedia.it)