

Speaker Model: BZ25

Cone material: Ceramic

DCR Impedance: 4.0  $\Omega$

Maximum power Input: 25 W

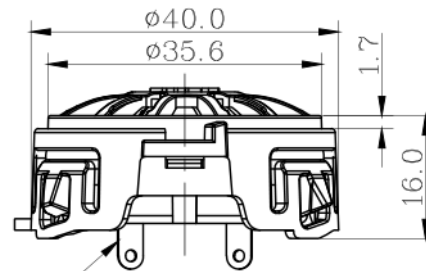
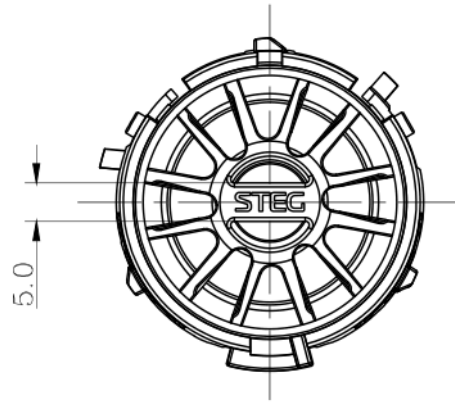
Frequency Range: 1500-22000 Hz

Sensitivity 1W/1M: 91dB

Weight: 0.05(KG)

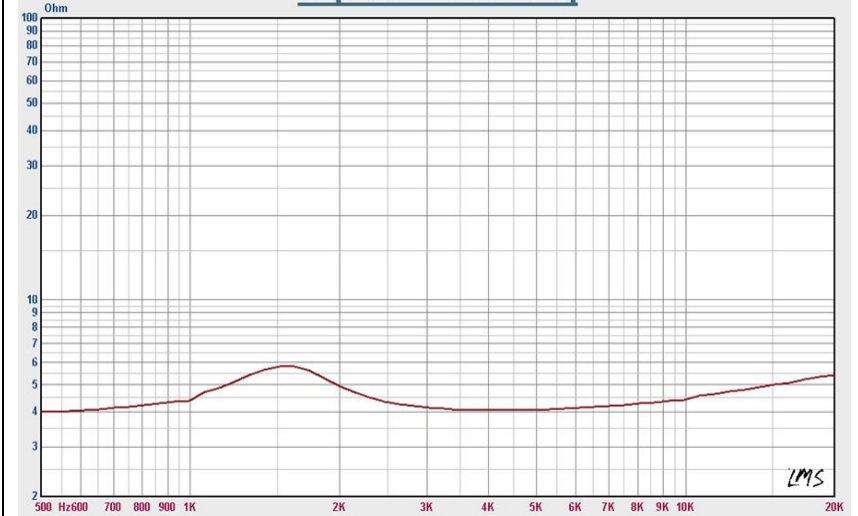
Mounting Depth: 18 mm

Mounting Diameter: 40mm



2\*T-5029V端子  
红点正极

**Impedance vs Freq**



**SPL vs Freq**

